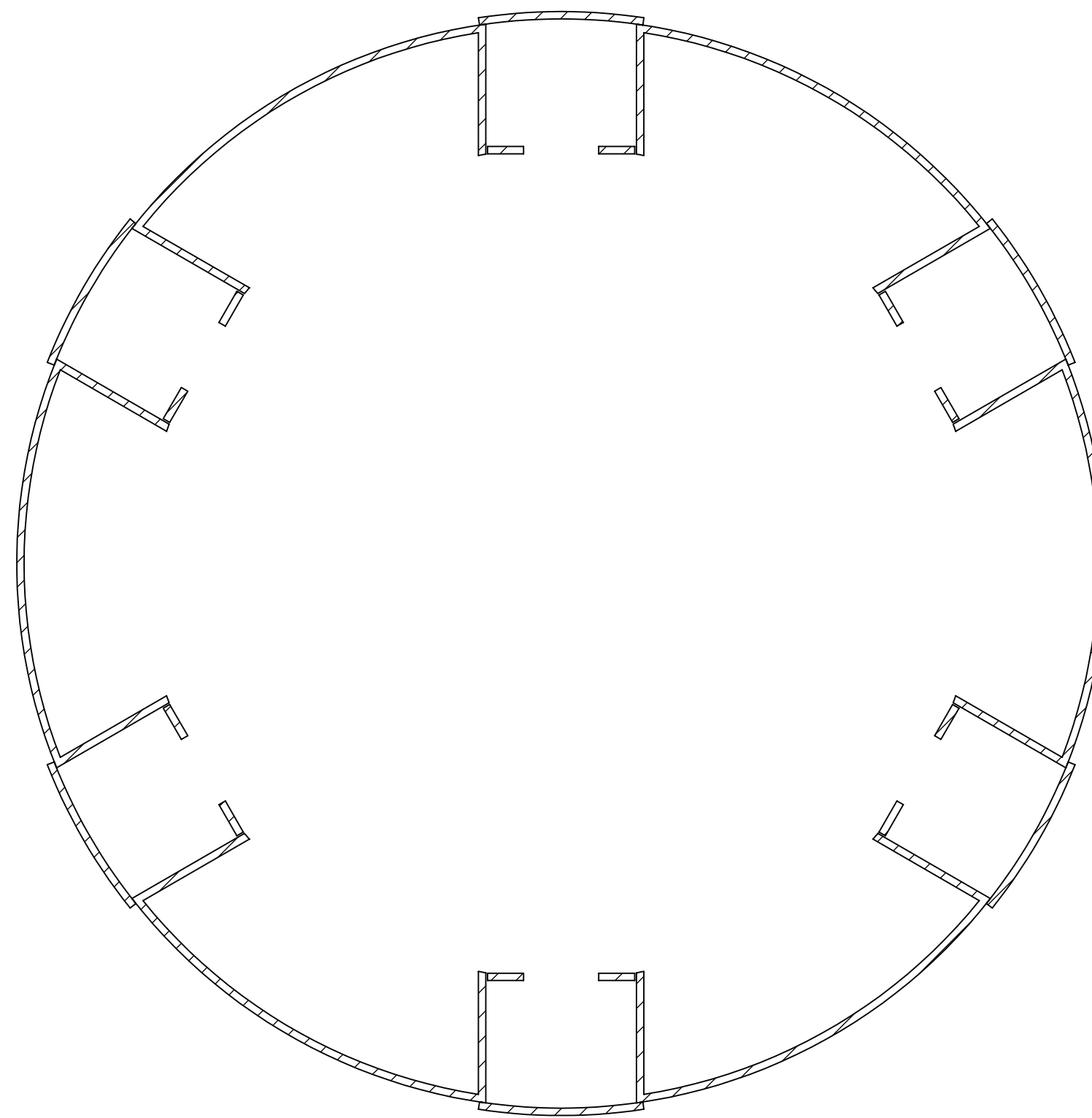
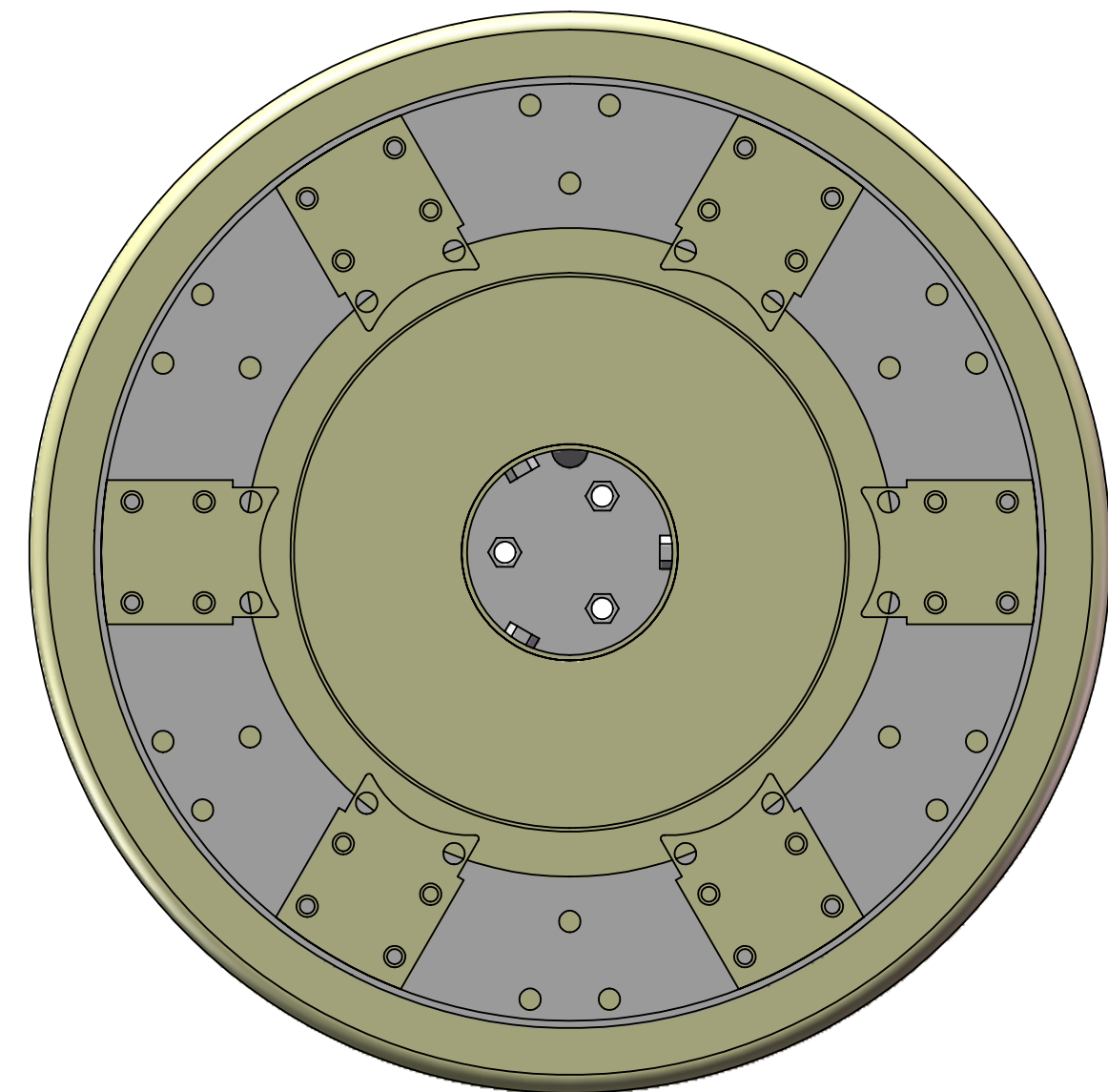
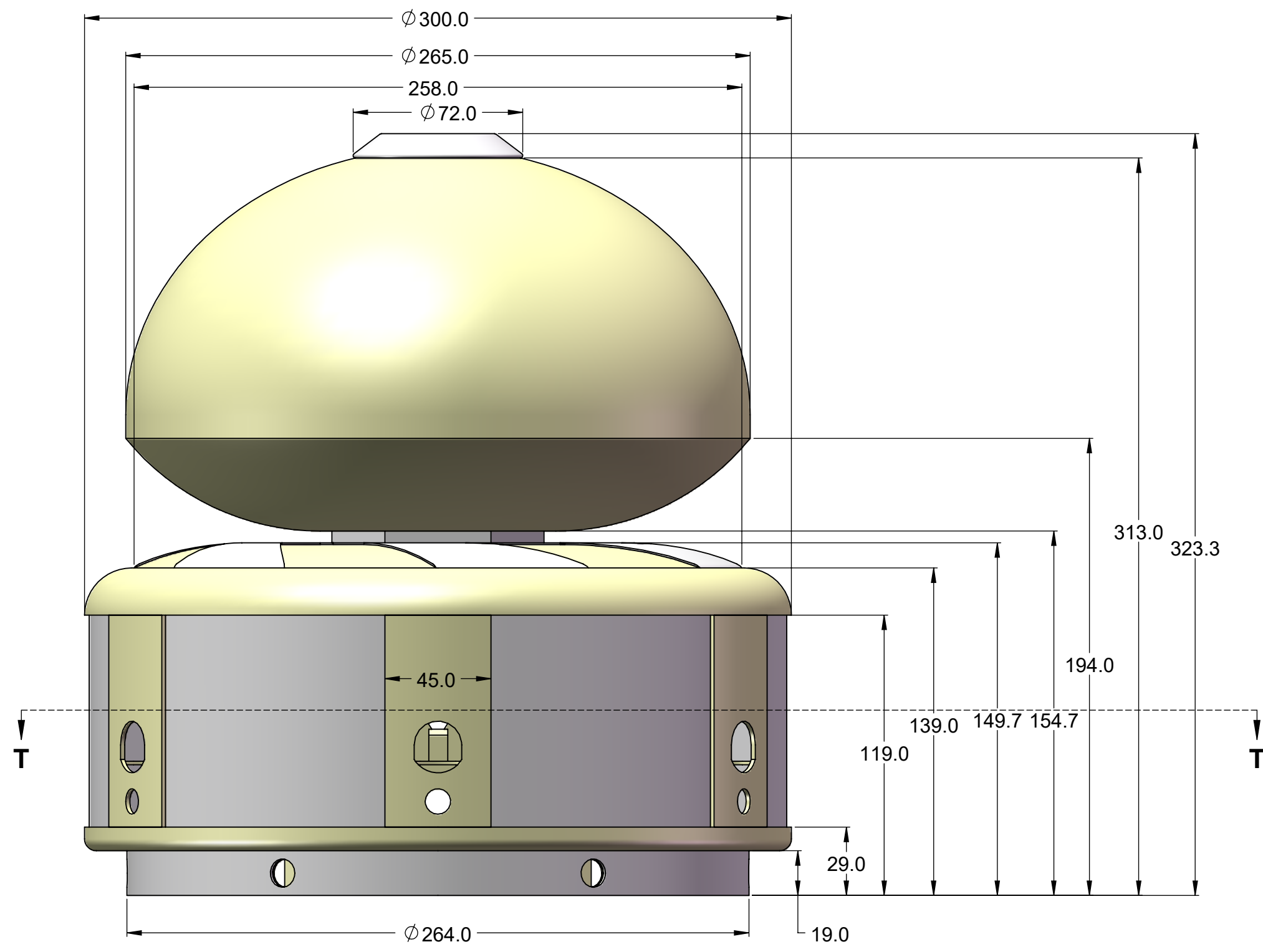
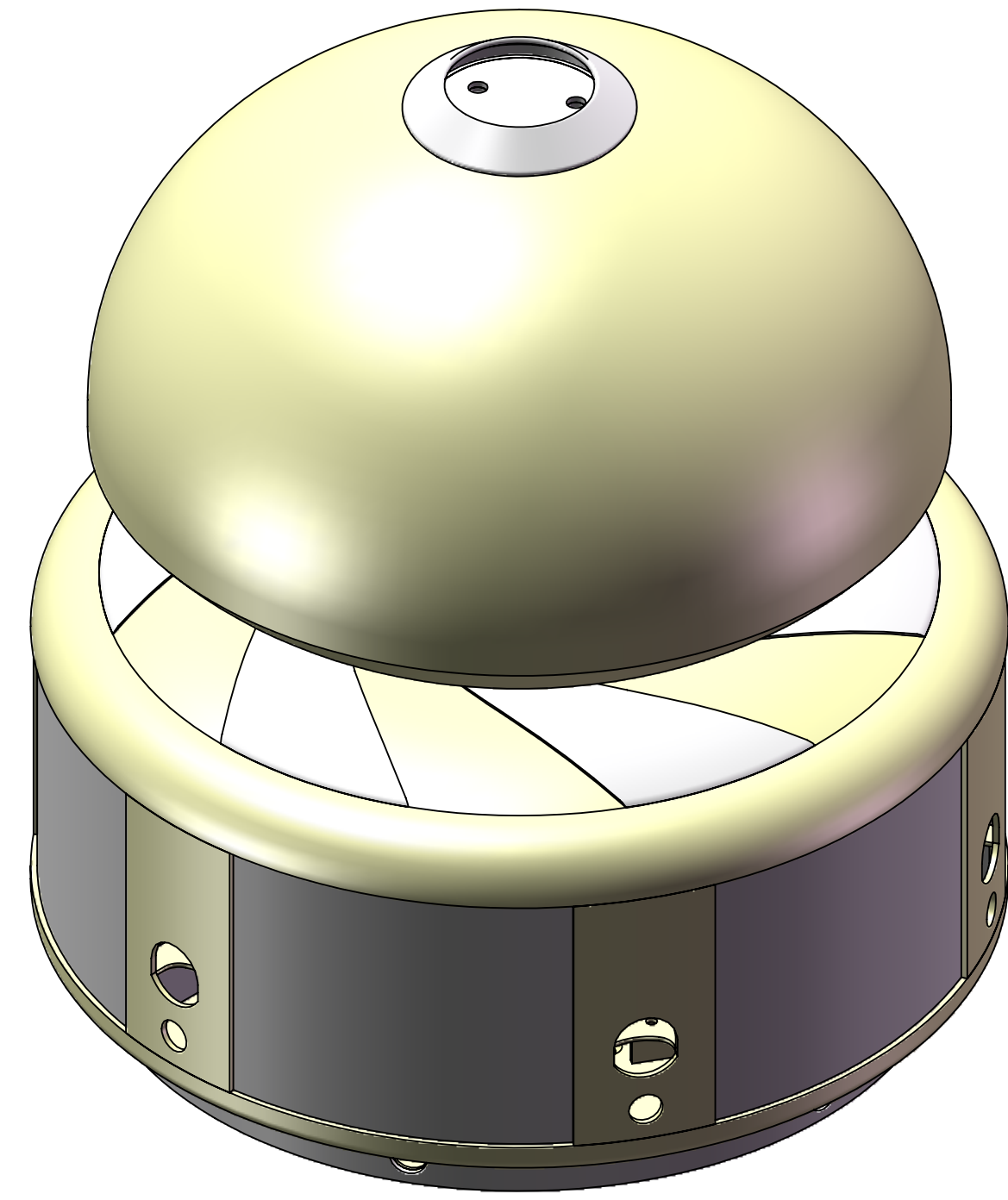
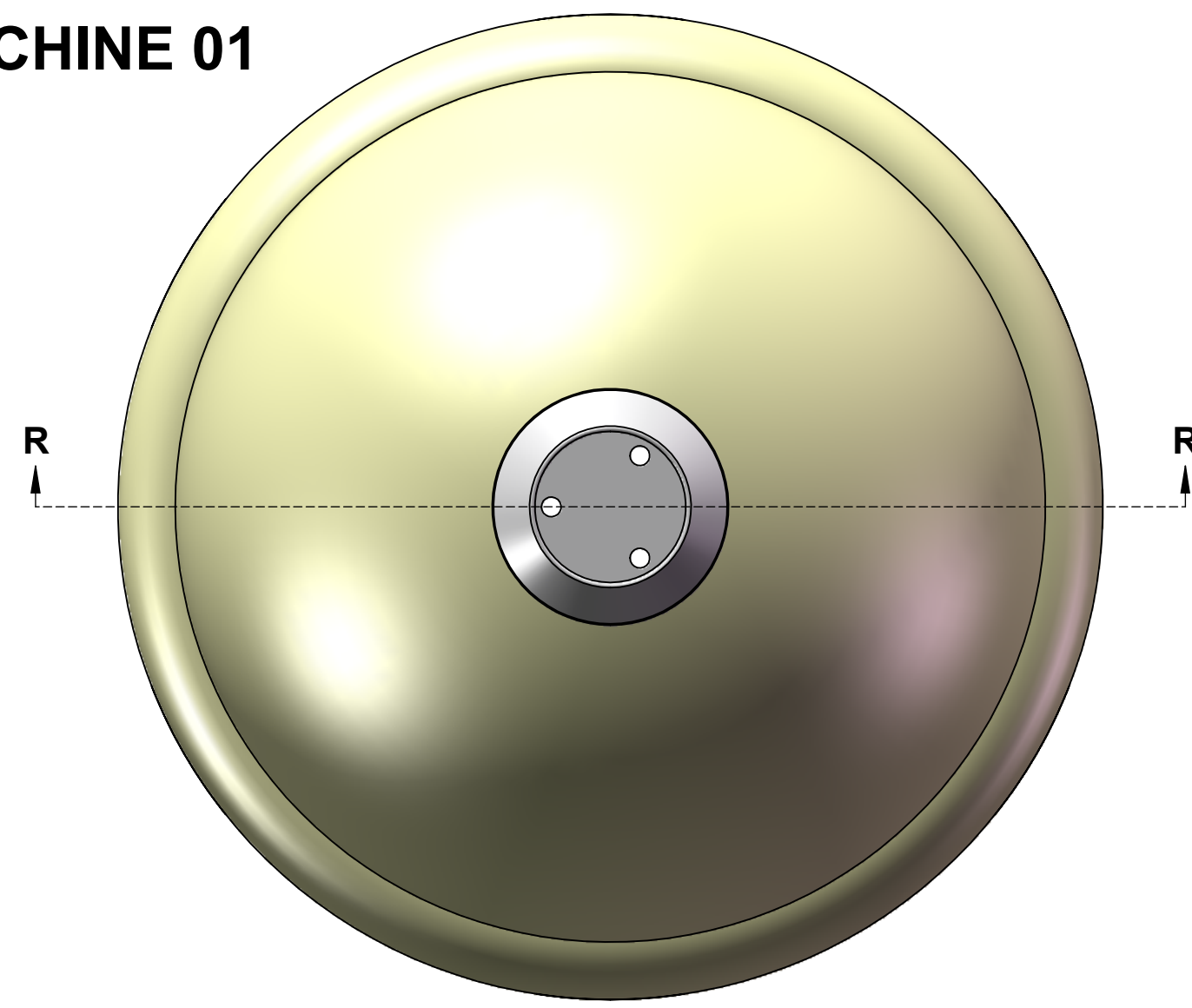
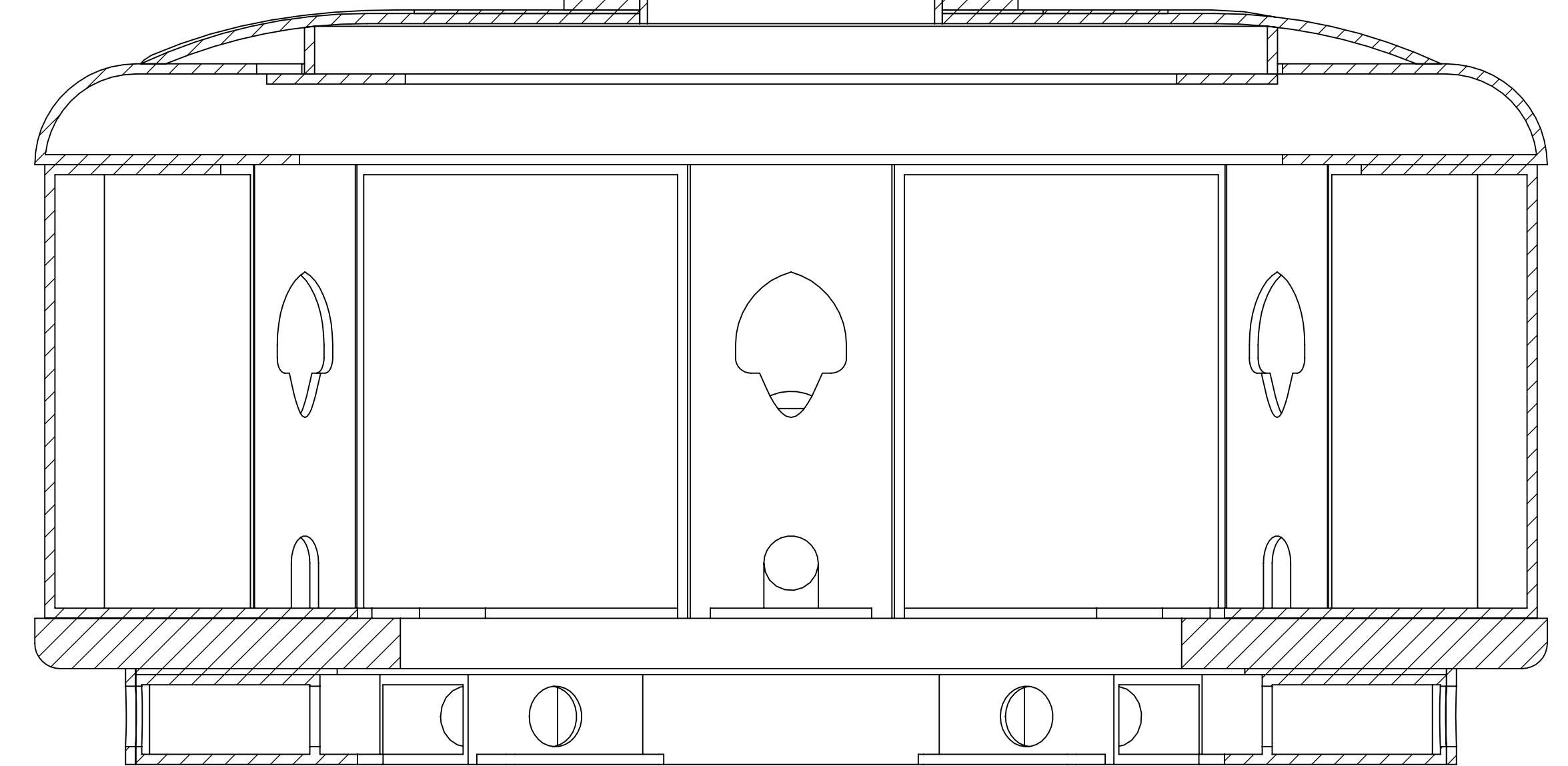
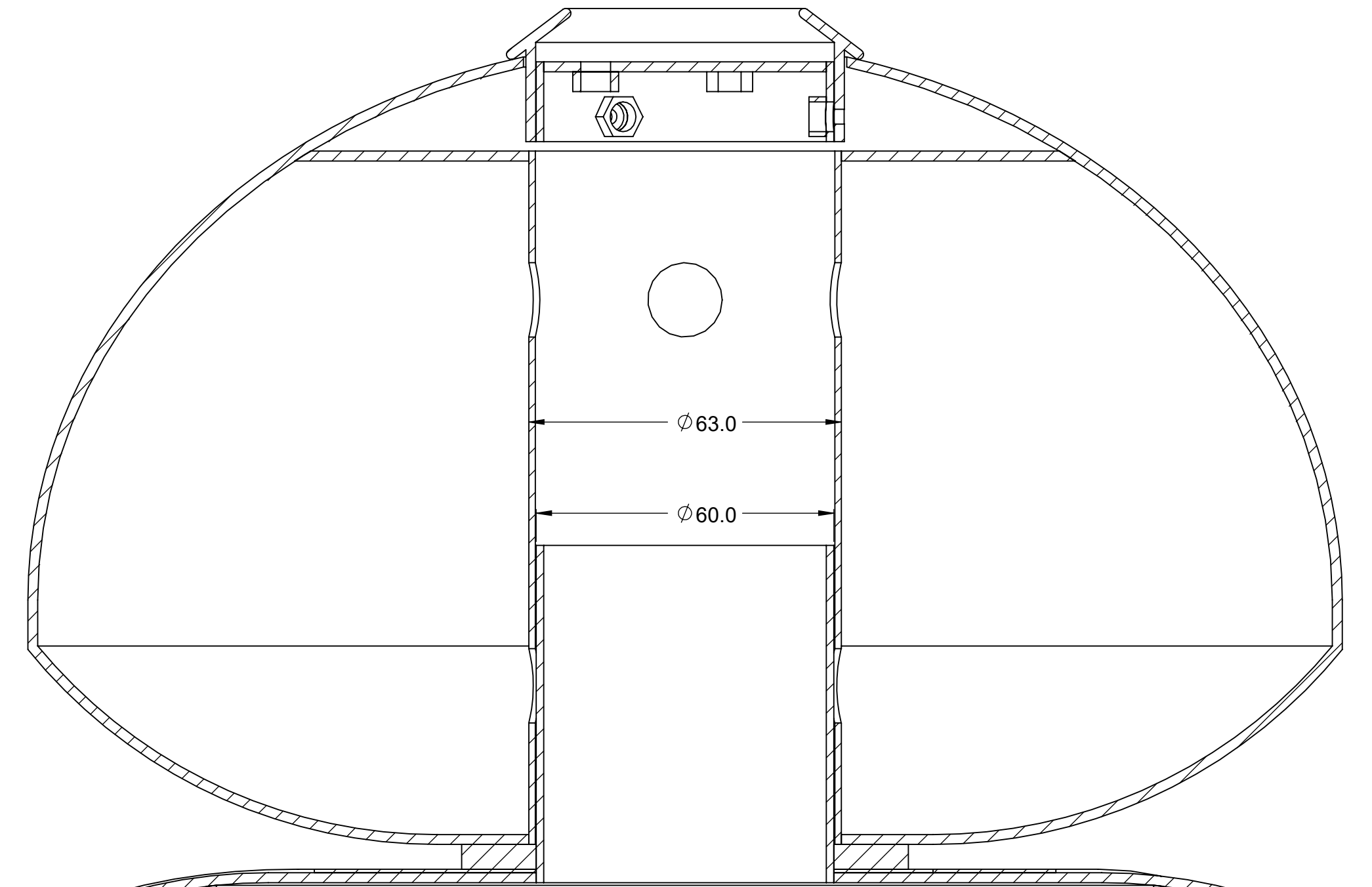


MACHINE 01



SECTION T-T SCALE 1 : 1.5



SECTION R-R SCALE 1 : 1

MACHINE 01

NOTE: ALL 304 STAINLESS STEEL MATERIAL

